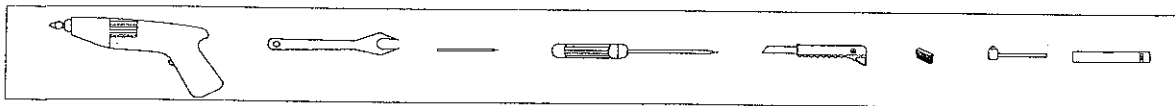
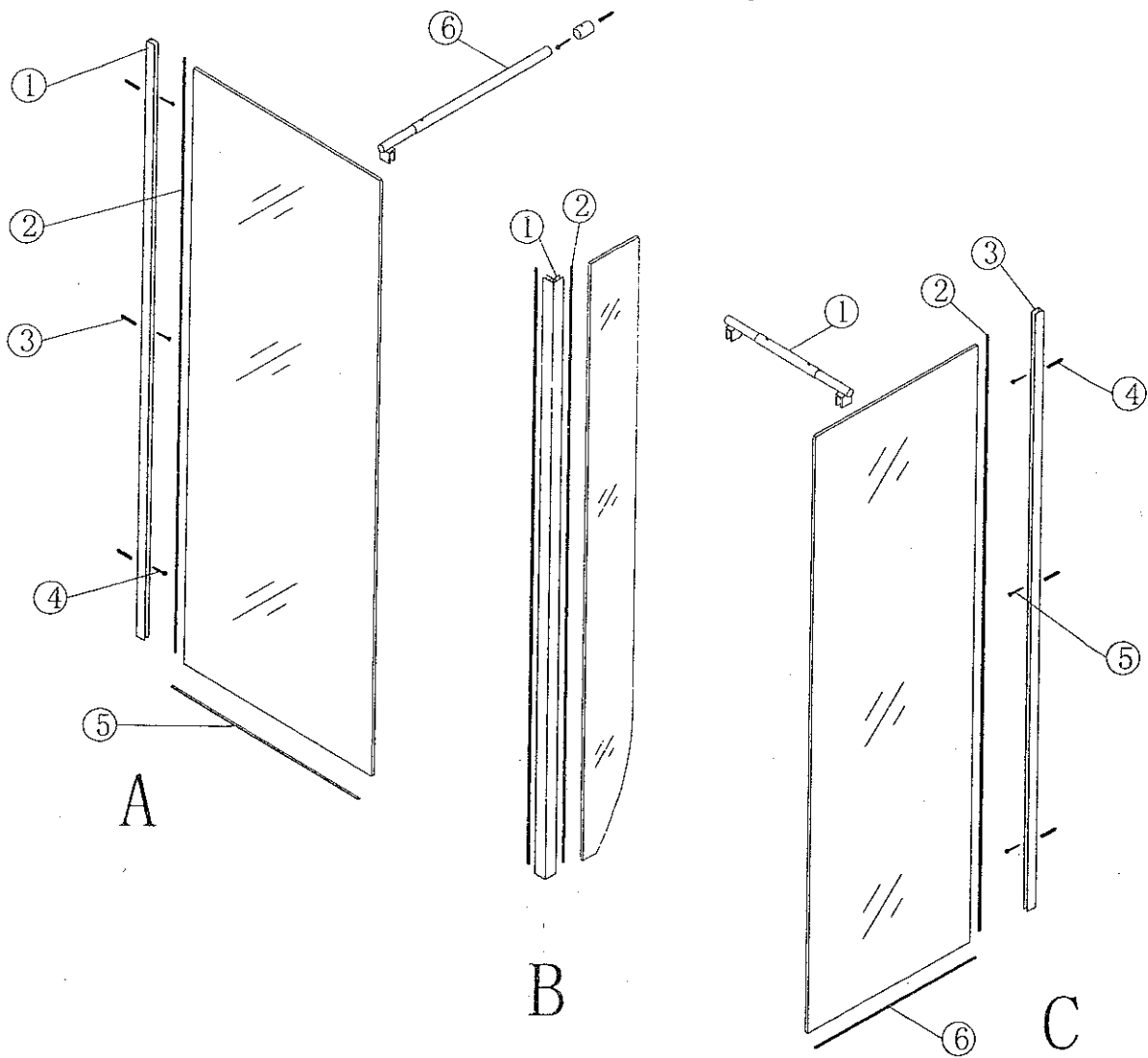



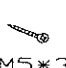

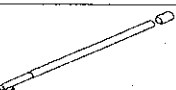






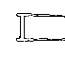


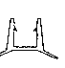


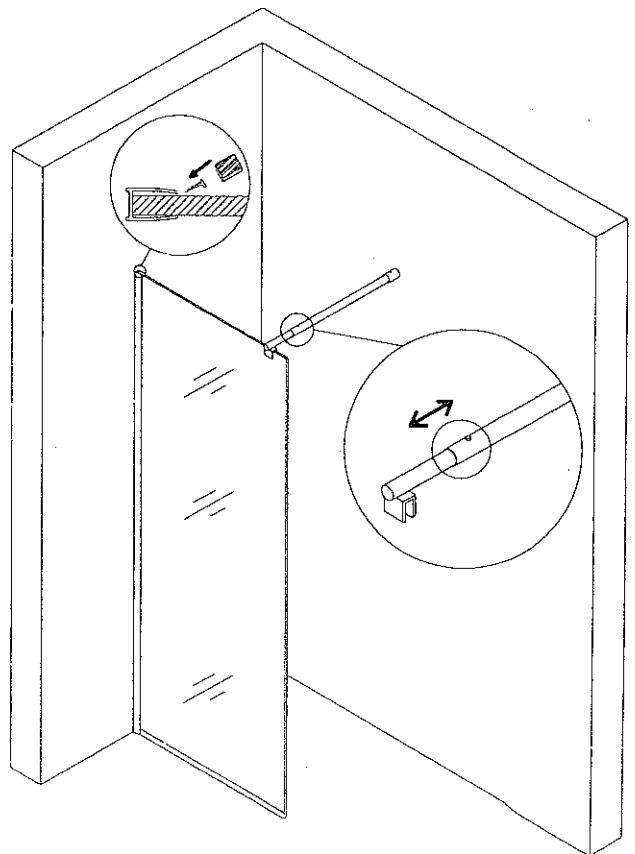
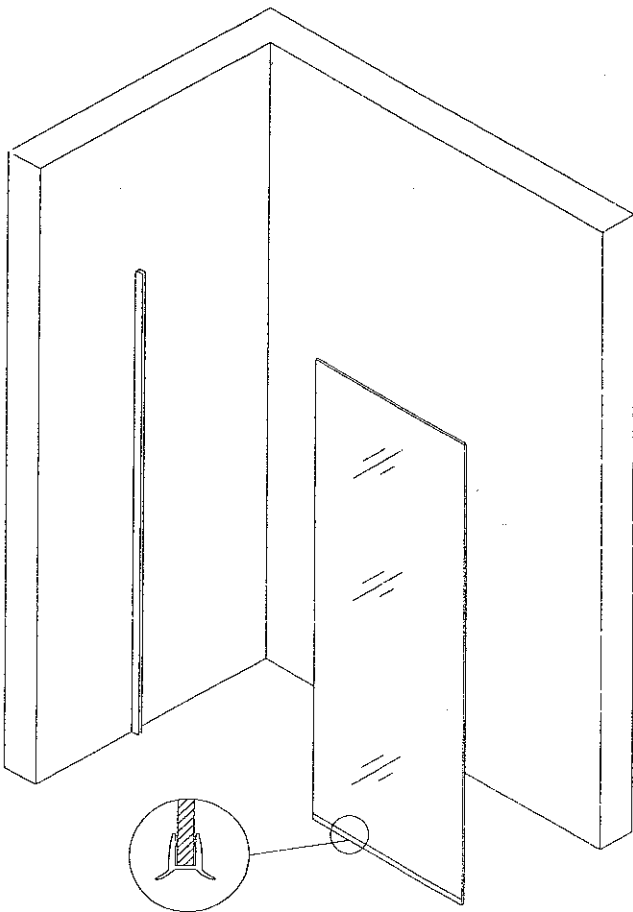
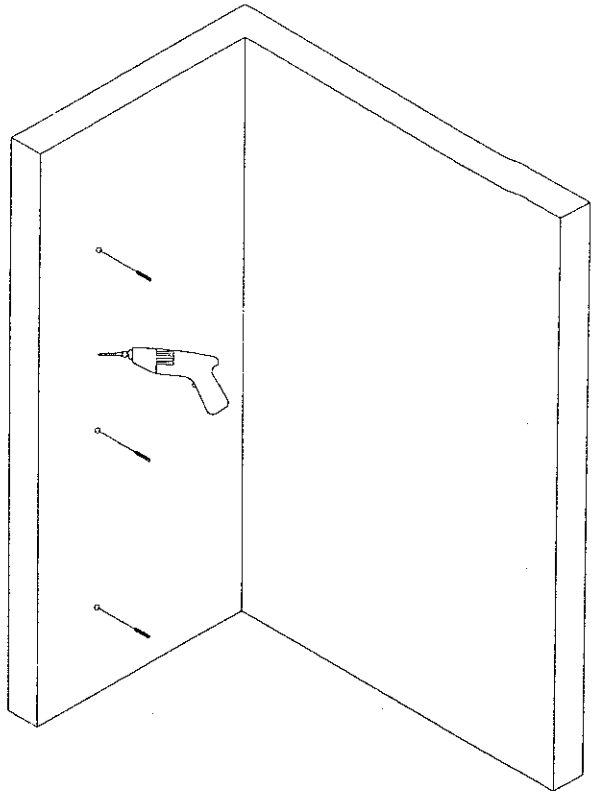
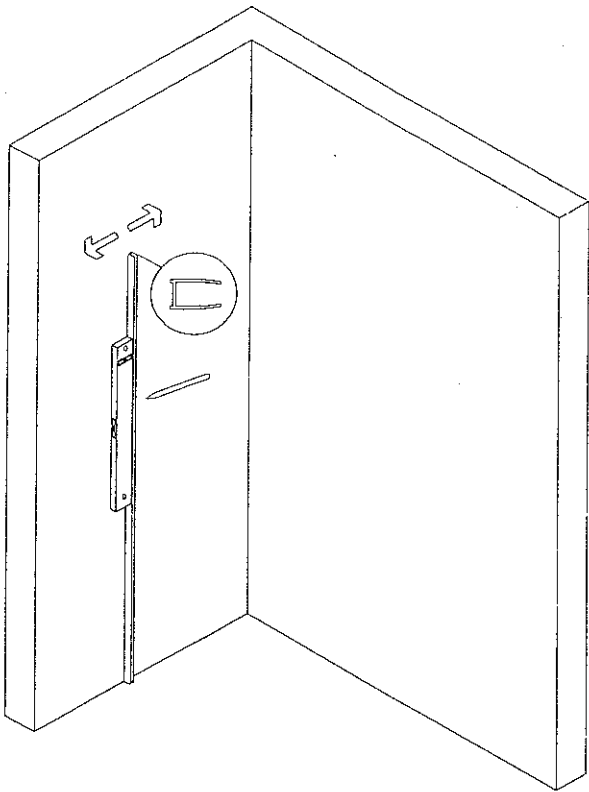


picture 1



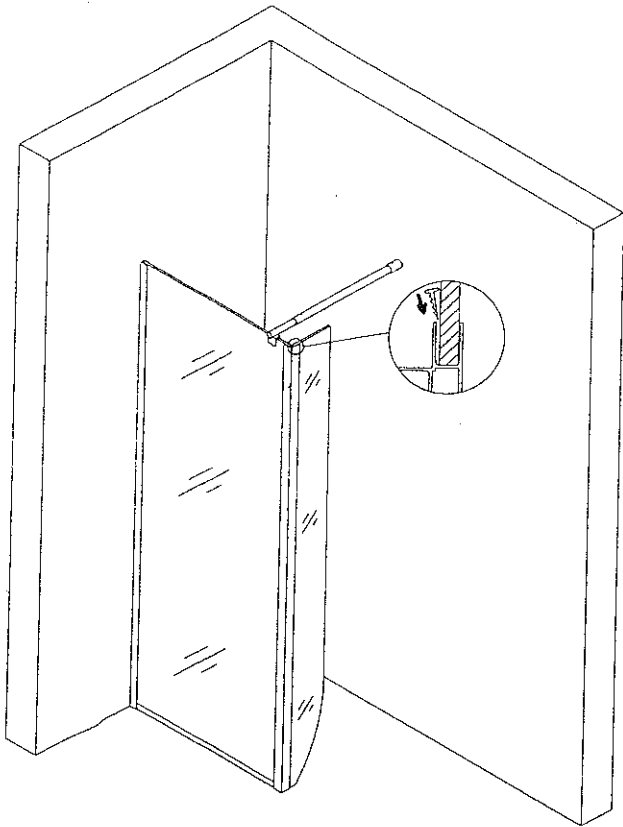
A	①	 1 PCS	②	 1 PCS	③	 5 PCS	④	 M5*30 5 PCS
	⑤	 1 PCS	⑥	 1 PCS	⑦	 M3 1 PCS	⑧	 M4 1 PCS
B	①	 1 PCS	②	 2 PCS				
C	①	 1 PCS	②	 1 PCS	③	 1 PCS	④	 5 PCS
	⑤	 M5*30 4 PCS	⑥	 1 PCS	⑦	 M3 1 PCS	⑧	 M4 1 PCS

picture 2

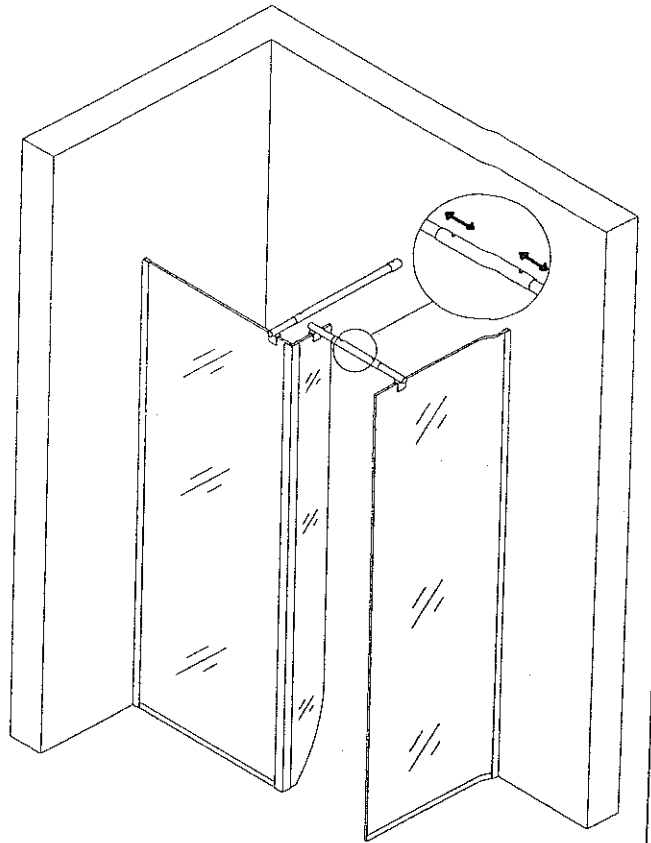


(A)

picture 3



(A)+(B)



(A)+(B)+(C)

