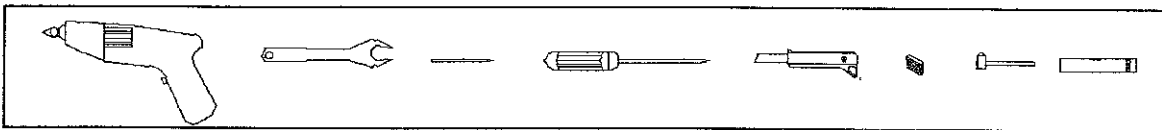
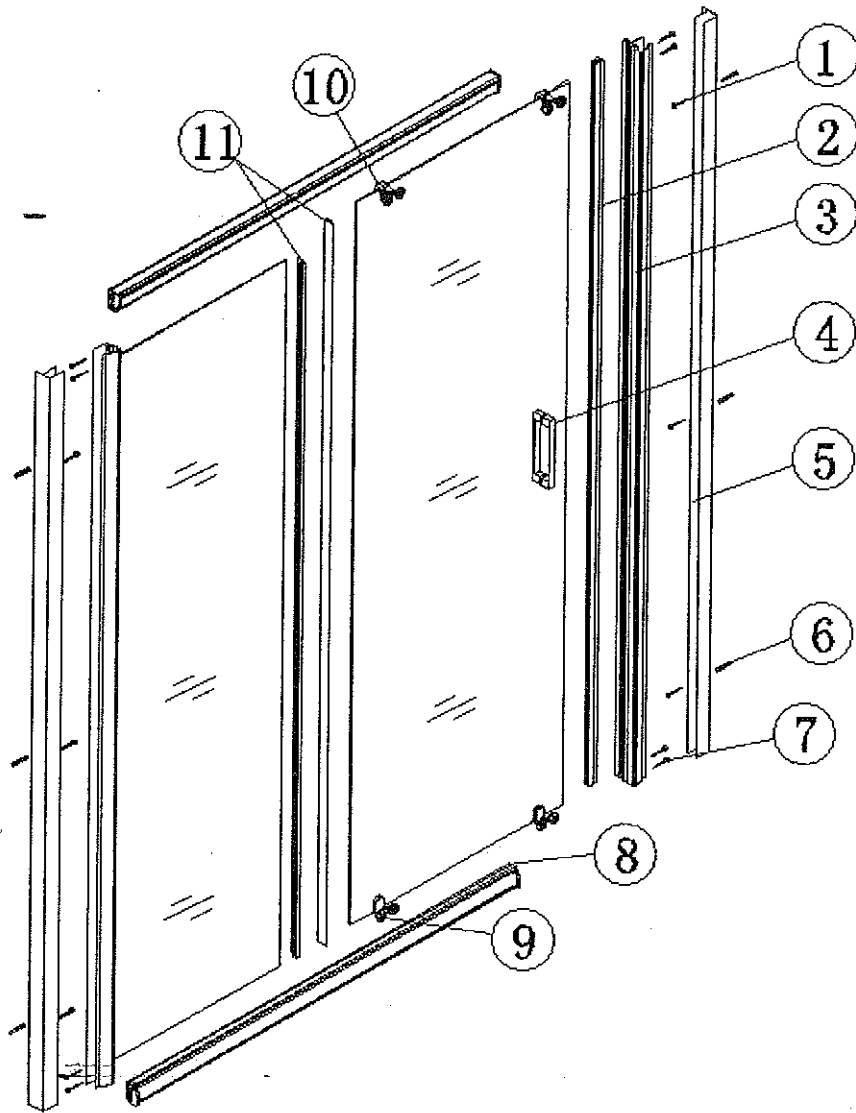

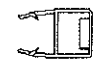
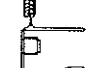
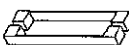








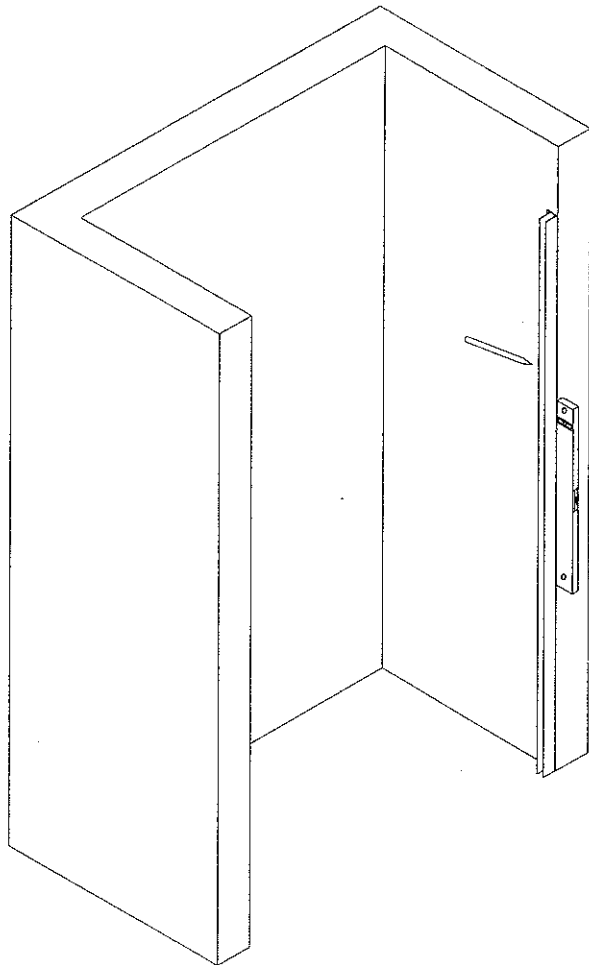
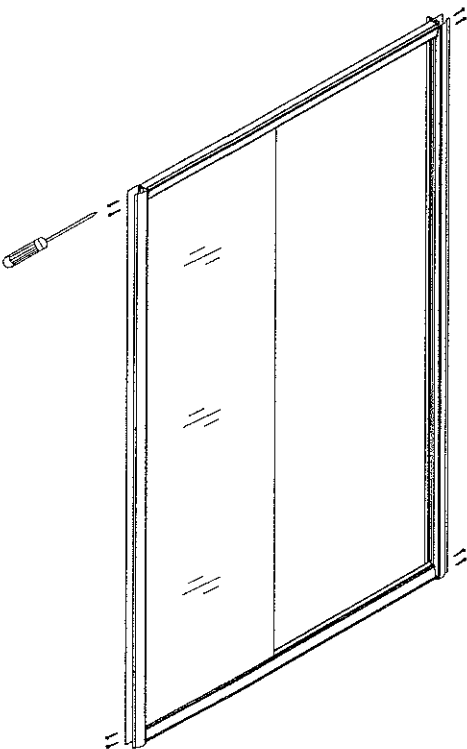
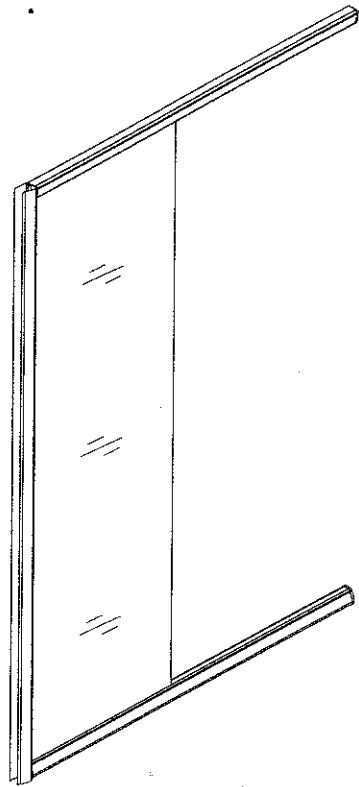
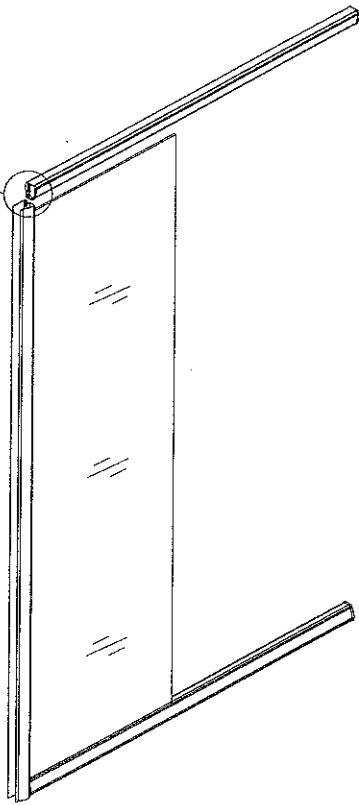
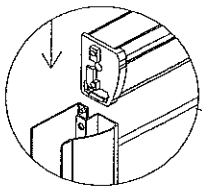


picture 1

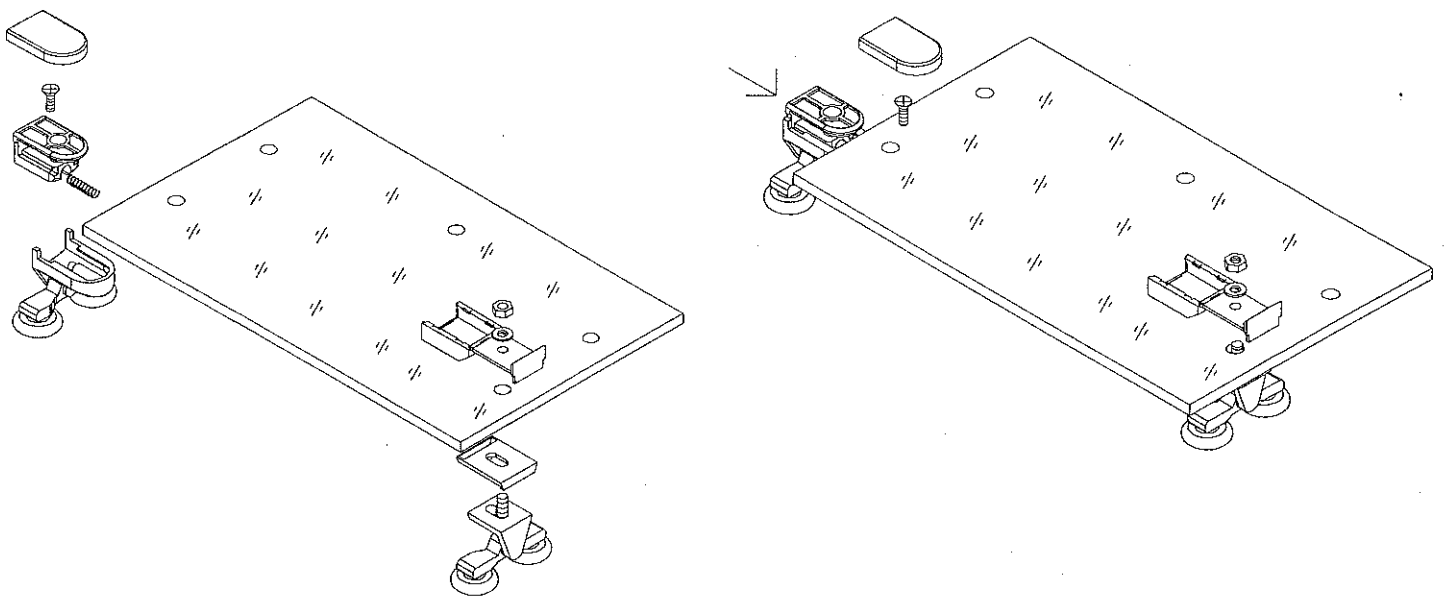
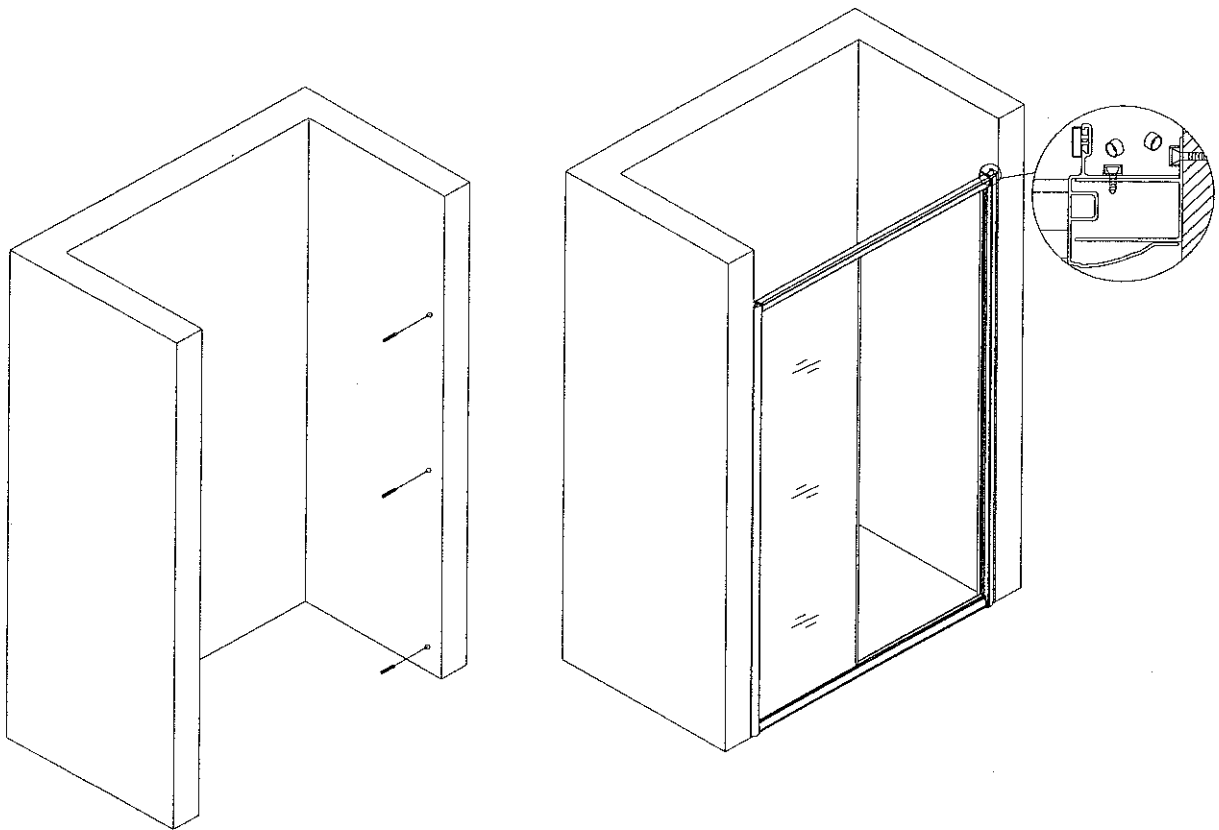


①	 M4*30 6 PCS	②	 1 PCS	③	 1 PCS	④	 1 PCS
⑤	 2 PCS	⑥	 6 PCS	⑦	 M4*30 8 PCS	⑧	 2 PCS
⑨	 2 PCS	⑩	 2 PCS	⑪	 9 PCS	⑫	 M4*12 12 PCS

picture 2



picture 3



picture 4

